



Main

| | |
|-----------------------------|-------------------------------|
| Range of product | EasyPact MVS |
| Range | EasyPact |
| Product name | MVS20H |
| Device short name | MVS20H |
| Product or component type | Circuit breaker |
| Device application | Distribution |
| Poles description | 3P |
| Protected poles description | 3P 3d |
| Network type | AC |
| Breaking capacity code | H |
| Suitability for isolation | Yes conforming to IEC 60947-2 |
| Utilisation category | Category B |
| Trip unit name | ET6G |
| Trip unit technology | Electronic |
| Trip unit rating | 2000 A |

Complementary

| | |
|-------------------------------|--|
| Network frequency | 50/60 Hz |
| Control type | Electrically operated |
| Mounting mode | Drawout |
| Mounting support | Base plate Rail |
| Connection position | Vertical Horizontal |
| Location of connection | Rear |
| [In] rated current | 2000 A at 40 °C |
| [Ui] rated insulation voltage | 1000 V AC 50/60 Hz conforming to IEC 60947-2 |

| | |
|--|--|
| [Uimp] rated impulse withstand voltage | 12 kV conforming to IEC 60947-2 |
| [Ue] rated operational voltage | 690 V AC 50/60 Hz conforming to IEC 60947-2 |
| Circuit breaker CT rating | 2000 A |
| Breaking capacity | 65 kA Icu at 220...440 V AC 50/60 Hz conforming to IEC 60947-2 |
| [Ics] rated service breaking capacity | 65 kA (Ics) at 220...440 V AC 50/60 Hz conforming to IEC 60947-2 50 kA (Ics) at 690 V AC 50/60 Hz conforming to IEC 60947-2 |
| Mechanical durability | 20000 cycles (with maintenance) conforming to IEC 60947-2 10000 cycles (without maintenance) conforming to IEC 60947-2 |
| Electrical durability | Category B: 6000 cycles 440 V AC 50/60 Hz without maintenance conforming to IEC 60947-2 Category B: 4000 cycles 690 V AC 50/60 Hz without maintenance conforming to IEC 60947-2 |
| Connection pitch | 115 mm without spreader |
| Contact position indicator | Yes |
| [Icm] rated short-circuit making capacity | 143 kA (Icm) at 220...440 V AC 50/60 Hz conforming to IEC 60947-2 |
| [Icw] rated short-time withstand current | 65 kA (1 s) at 220...440 V AC 50/60 Hz conforming to IEC 60947-2 50 kA (1 s) at 690 V AC 50/60 Hz conforming to IEC 60947-2 36 kA (3 s) at 440/690 V AC 50/60 Hz conforming to IEC 60947-2 |
| Trip unit protection functions | LSIG |
| Protection type | Short time short-circuit protection Instantaneous short-circuit protection Overload protection (long time) Earth fault |
| Fault indication | Short-circuit Internal fault Overload Earth fault |
| Long time pick-up adjustment type Ir | Adjustable 9 settings |
| Long time pick-up adjustment range | 0.4...1 x In |
| Long time delay adjustment type | Adjustable 9 settings |
| [Tr] long-time delay adjustment range | 0.5...24 s at 6 x Ir |
| Short-time pick-up adjustment type I _{sd} | Adjustable 9 settings |
| [I _{sd}] short-time pick-up adjustment range | 1.5...10 x Ir |
| Short-time delay adjustment type | Adjustable 5 settings |
| [T _{sd}] short-time delay adjustment range | 100...400 ms |
| Instantaneous pick-up adjustment type I _i | Adjustable 9 settings |
| Instantaneous pick-up adjustment range | Off 2...15 x In |
| Ground-fault pick-up adjustment type | Adjustable 9 settings |
| Ground-fault time delay adjustment type -tg | Adjustable 5 settings |
| [T _g] ground-fault time delay adjustment range | 100...400 ms |
| [I _g] ground-fault pick-up adjustment range | 500...1200 A |
| Zone selective interlocking ZSI | With |
| Current sensor rating range | 400/2000 A |
| Maximum breaking time | 25 ms |
| Maximum closing response time | 70 ms |
| Height | 439 mm |
| Width | 441 mm |
| Depth | 395 mm |
| Net weight | 70 kg |

Environment

| | |
|-----------|-------------|
| Standards | IEC 60947-2 |
|-----------|-------------|

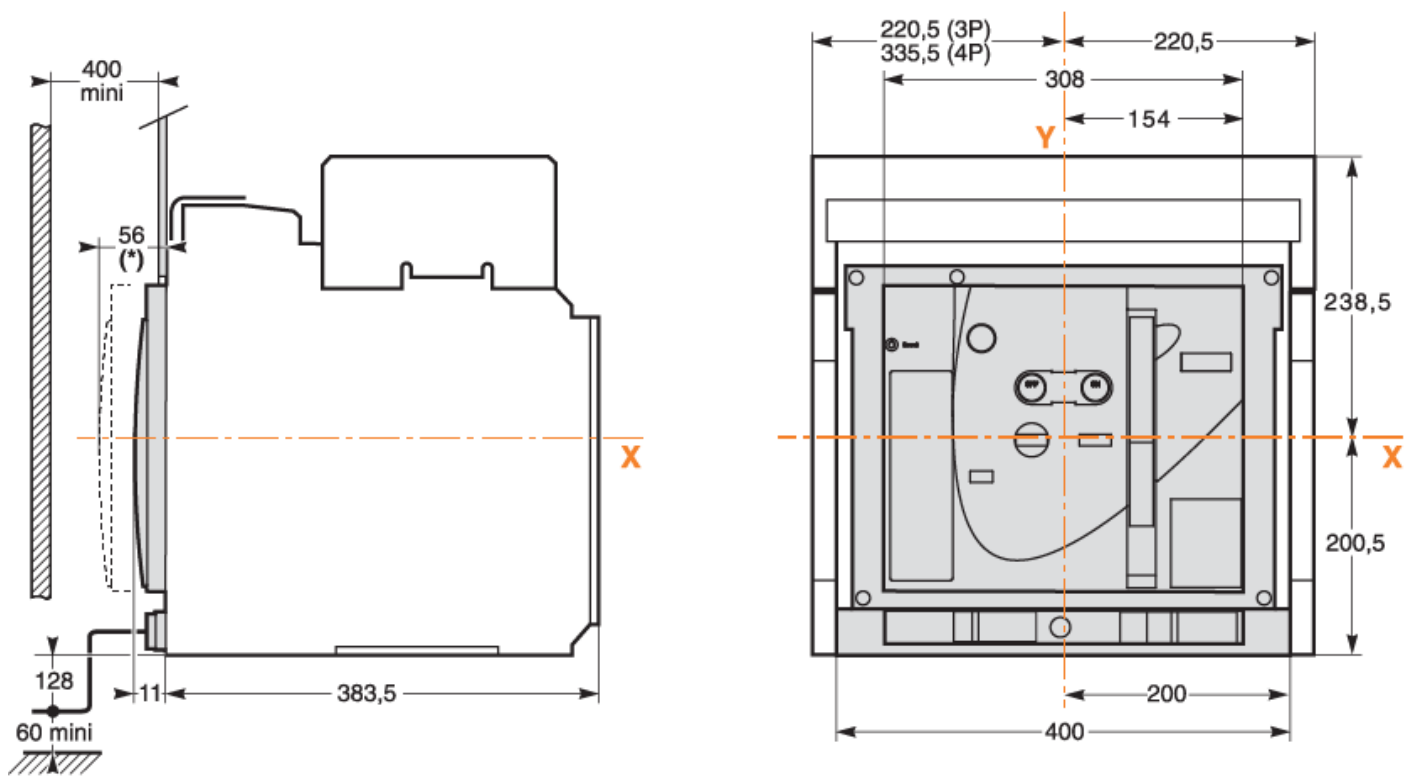
| | |
|---------------------------------------|---|
| Product certifications | IEC CCS CCC GOST |
| IP degree of protection | IP40 |
| Pollution degree | 4 conforming to IEC 60664-1 |
| Ambient air temperature for operation | -5...70 °C |
| Ambient air temperature for storage | -40...85 °C without control unit -25...85 °C with control unit |

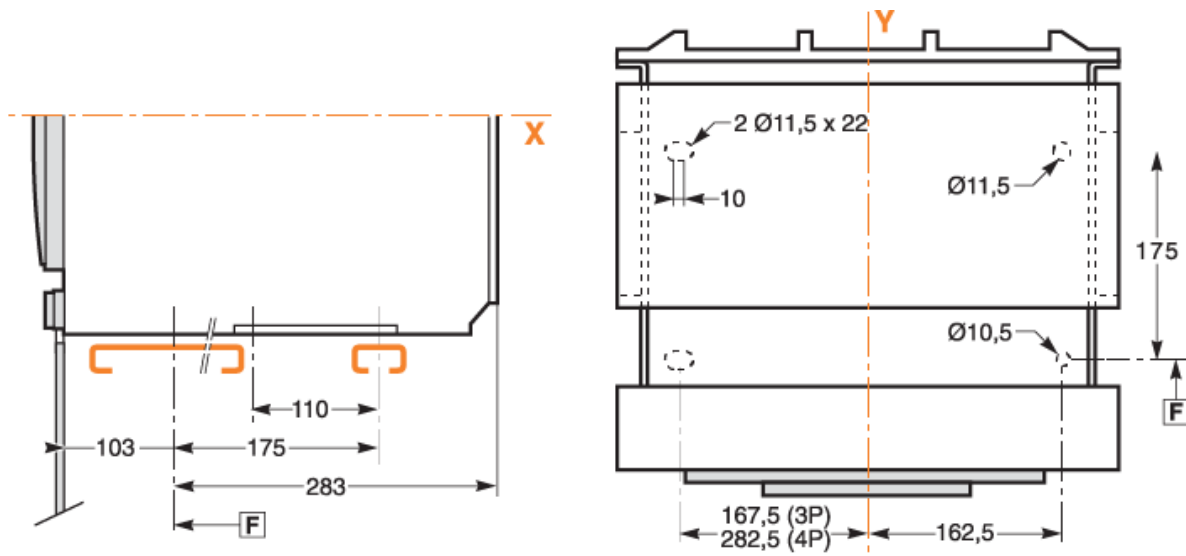
Offer Sustainability

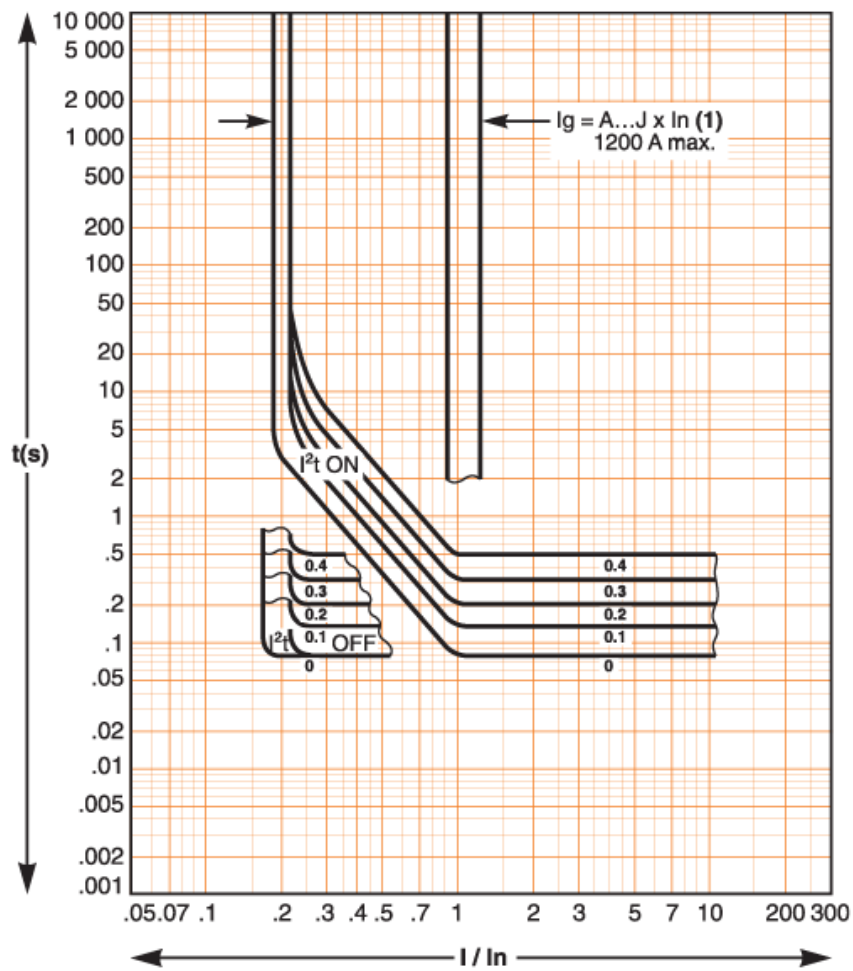
| | |
|----------------------------|---|
| Sustainable offer status | Green Premium product |
| REACH Regulation | REACH Declaration |
| EU RoHS Directive | Compliant EU RoHS Declaration |
| Mercury free | Yes |
| RoHS exemption information | Yes |
| China RoHS Regulation | China RoHS declaration Product out of China RoHS scope. Substance declaration for your information |
| Environmental Disclosure | Product Environmental Profile |
| Circularity Profile | End of Life Information |
| PVC free | Yes |

Contractual warranty

| | |
|----------|-----------|
| Warranty | 18 months |
|----------|-----------|

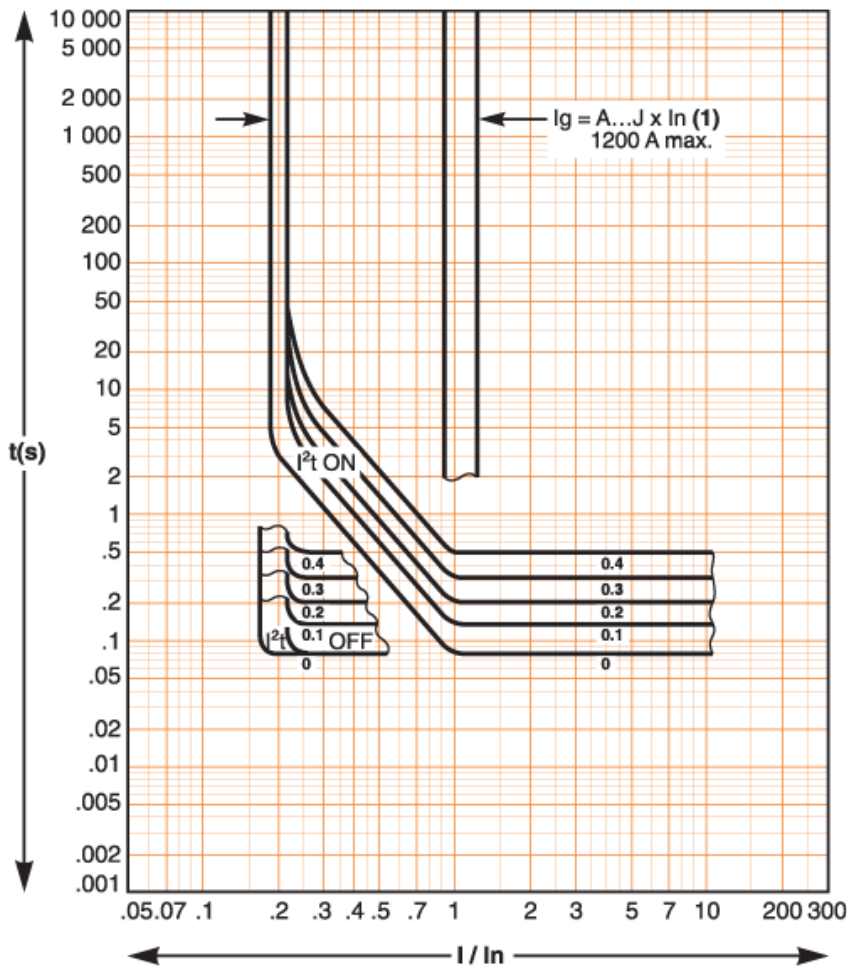






(1)

| $I_g = I_n \times \dots$ | A | B | C | D | E | F | G | H | J |
|---|-----|-----|-----|-----|-----|-----|------|------|------|
| $I_n \leq 400 \text{ A}$ | 0.3 | 0.3 | 0.4 | 0.5 | 0.6 | 0.7 | 0.8 | 0.9 | 1 |
| $400 \text{ A} < I_n \leq 1000 \text{ A}$ | 0.2 | 0.3 | 0.4 | 0.5 | 0.6 | 0.7 | 0.8 | 0.9 | 1 |
| $I_n \geq 1250 \text{ A}$ | 500 | 640 | 720 | 800 | 880 | 960 | 1040 | 1120 | 1200 |



(1)

| $I_g = I_n \times \dots$ | A | B | C | D | E | F | G | H | J |
|---|-----|-----|-----|-----|-----|-----|------|------|------|
| $I_n \leq 400 \text{ A}$ | 0.3 | 0.3 | 0.4 | 0.5 | 0.6 | 0.7 | 0.8 | 0.9 | 1 |
| $400 \text{ A} < I_n \leq 1000 \text{ A}$ | 0.2 | 0.3 | 0.4 | 0.5 | 0.6 | 0.7 | 0.8 | 0.9 | 1 |
| $I_n \geq 1250 \text{ A}$ | 500 | 640 | 720 | 800 | 880 | 960 | 1040 | 1120 | 1200 |